

SCP to JIM Port

Part No	Length
204375	8 Meters
204376	12 Meters
204377	18 Meters

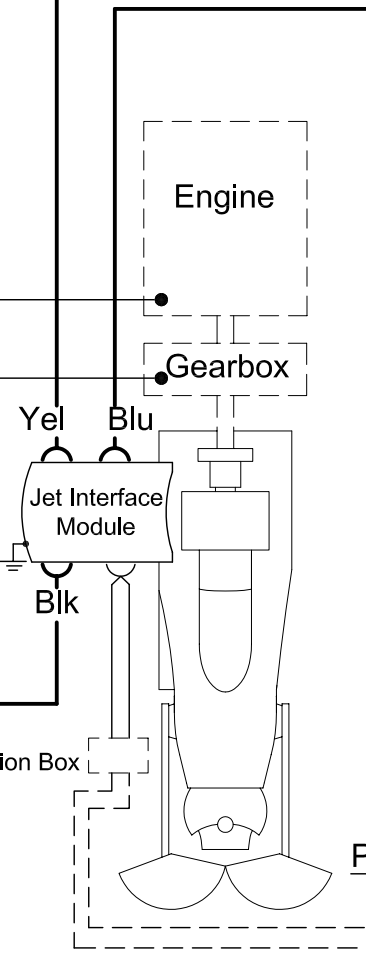
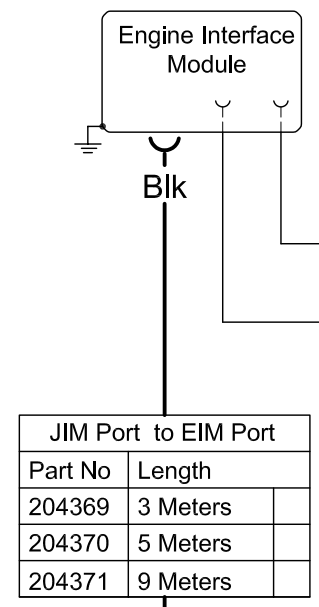
SCP to JIM Starboard

Part No	Length
204381	8 Meters
204382	12 Meters
204383	18 Meters

JIM to JIM

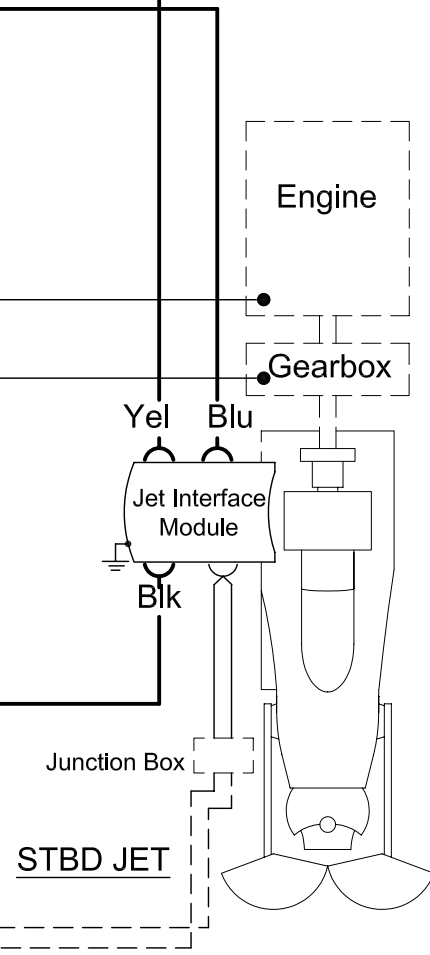
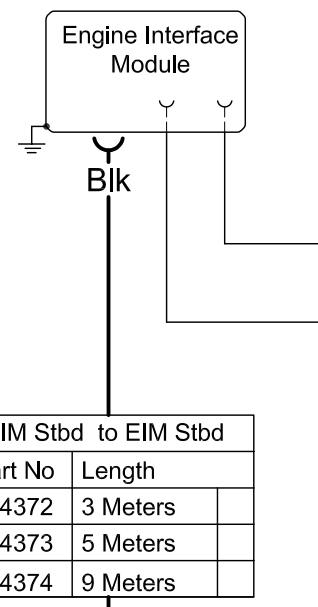
Part No	Length
204365	3 Meters
204366	5 Meters
204367	10 Meters

**Control Stations**  
 Two Station Refer Two station schema  
 Three Station Refer Three station schema



**Engine**  
Refer Engine Schemas

**Gearbox**  
Refer Gearbox Schemas



**Power Supply**  
Refer Power Supply Schemas

**LEGEND**

FEMALE CONNECTOR

MALE CONNECTOR

PLUG IN ELECTRIC CABLE CONNECTION

HARD WIRED TERMINATION

CABLES & EQUIPMENT SUPPLIED BY SHIPYARD

- NOTES**
- ALL MODULES ARE TO BE EARTHED TO THE SHIPS MAIN BONDING SYSTEM
  - ITEMS SHOWN IN DASHED LINES ARE NOT SUPPLIED BY C.W.F.HAMILTON AS PART OF THIS CONTRACT

A  
DWG No 204614

**C. W. F. Hamilton & Co. Ltd Christchurch, New Zealand**

AMENDMENT ISSUED FOR PRODUCTION				MATERIAL	Certified	Weight (kg)	✓ = N9 EXCEPT AS STATED
						Cast	UNLIMITED DIMENSIONS TO BE ±0.5
						M/C	Scale
				DESCRIPTION			
				blueARROW			
				TWIN JET CONFIGURATION			
ECN	407	BY	F.K.	DATE	13.02.06		
JET				Designed	F.K.	Date	06.03.06
				Reviewed			
				This print is provided on a restricted basis and is not to be used in any way detrimental to the interests of C. W. F. Hamilton Ltd			DWG No 204614